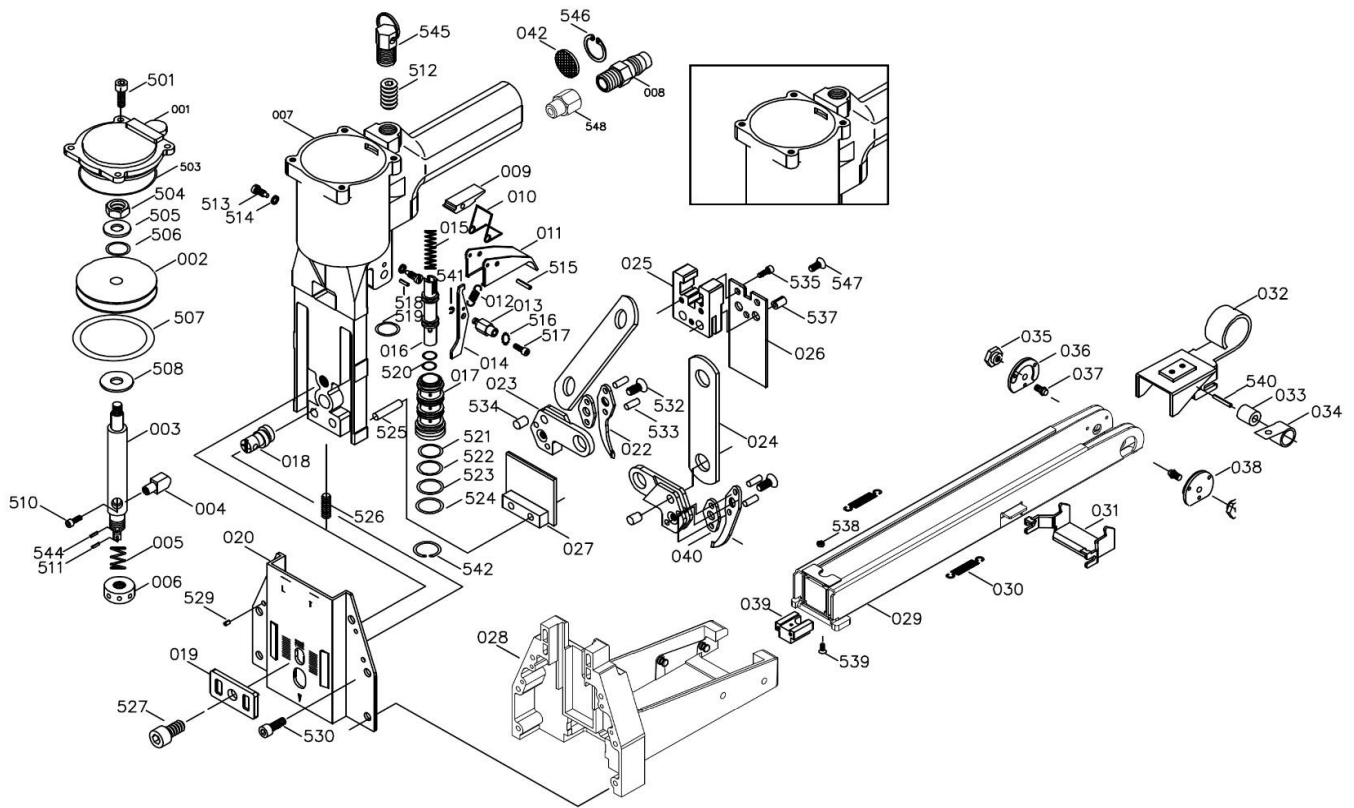


GT-9040D-22 AIR CARTON STAPLER

www.air-allied.com.au



PART DESCRIPTION

No.

- 001. Cap
- 002. Piston
- 003. Piston Rod
- 004. Block
- 005. Spring
- 006. Collar
- 007. Body Unit
- 008. Air Plug
- 009. Block
- 010. Spring
- 011. Trigger
- 012. Spring
- 013. Rod
- 014. Trigger's Control
- 015. Spring
- 016. Valve
- 017. Tube
- 018. Adjusting Rod
- 019. Adjusting Plate
- 020. Front Plate
- 021. Right Teeth (22mm)
- 022. Left Teeth (22mm)
- 023. Teeth Seat [2]
- 024. Plate [2]
- 025. Block
- 026. Driver (22-35)
- 027. Cover Unit
- 028. Magazine Seat

PART DESCRIPTION

No.

- 029. Magazine (9040)
- 030. Spring [2]
- 031. Bracket
- 032. Pusher Unit (9040)
- 033. Roller
- 034. Spring
- 035. Rod Unit [2]
- 036. Right Pusher Guide
- 037. Rod [2]
- 038. Left Pusher Guide
- 039. Bracket
- 040. Washer [2]
- 042. Silencer
- 501. Hex.Soc.HD.Bolt [4]
- 503. O-Ring
- 504. Hex. Nut
- 505. Washer
- 506. O-Ring
- 507. O-Ring
- 508. Washer
- 510. Hex.Soc.HD.Bolt
- 511. Spring Pin
- 512. Hex.Soc.HDless.Bolt
- 513. Trigger Screw[2]
- 514. Spring Washer [2]
- 515. Spring Pin
- 516. Outside Teeth Washer
- 517. Hex.Soc.HD.Bolt

PART DESCRIPTION

No.

- 518. Spring Pin
- 519. O-Ring
- 520. O-Ring [2]
- 521. O-Ring
- 522. O-Ring
- 523. O-Ring
- 524. O-Ring
- 525. Rod [2]
- 526. Hex.Soc.HDless.Bolt
- 527. Hex.Soc.HD.Bolt
- 529. Spring Pin [4]
- 530. Hex.Soc.HD.Bolt [6]
- 532. Screw[2]
- 533. Pin [4]
- 534. Pin [2]
- 535. Hex.Soc.HD.Bolt [2]
- 537. Spring Pin [2]
- 538. Lock Nut
- 539. Hex.Soc.HD.Bolt
- 540. Spring Pin
- 541. E-Ring
- 542. C-Ring
- 544. Plastic Pin
- 545. Counter Balance Hanger
- 546. C-Ring
- 547. Screw
- 548. Air Plug Adaptor